

Dial Indicators

Comparison measuring instruments which ensure high quality, high accuracy and reliability.



An inspection certificate is supplied as standard. Refer to page IX for details.

SERIES 2 — Waterproof Type, 0.01mm & 0.001mm Graduation

- Waterproof type dial gages having a bezel with an outside diameter of 57mm. All types come with limit markers and a bezel clamp as standard.
- The bezel clamp can be attached to either the right or left side. These parts can be easily installed and removed without tools.
- The stem and spindle are made of high-strength quench-hardened stainless steel suitable for heavy-duty use.
- A carbide contact point is used.
- Application of a hard coating on the surface of the crystal makes the gage highly scratch- and chemical-resistant.



2046S-60

Continuous scale



Graduation: 0.01mm, Measuring range: 10mm **Waterproof**

Continuous scale



Graduation: 0.01mm, Measuring range: 5mm **Waterproof**



2109S-70

Balanced scale



Graduation: 0.001mm, Measuring range: 1mm **Waterproof**
 Shockproof
 Jeweled bearing

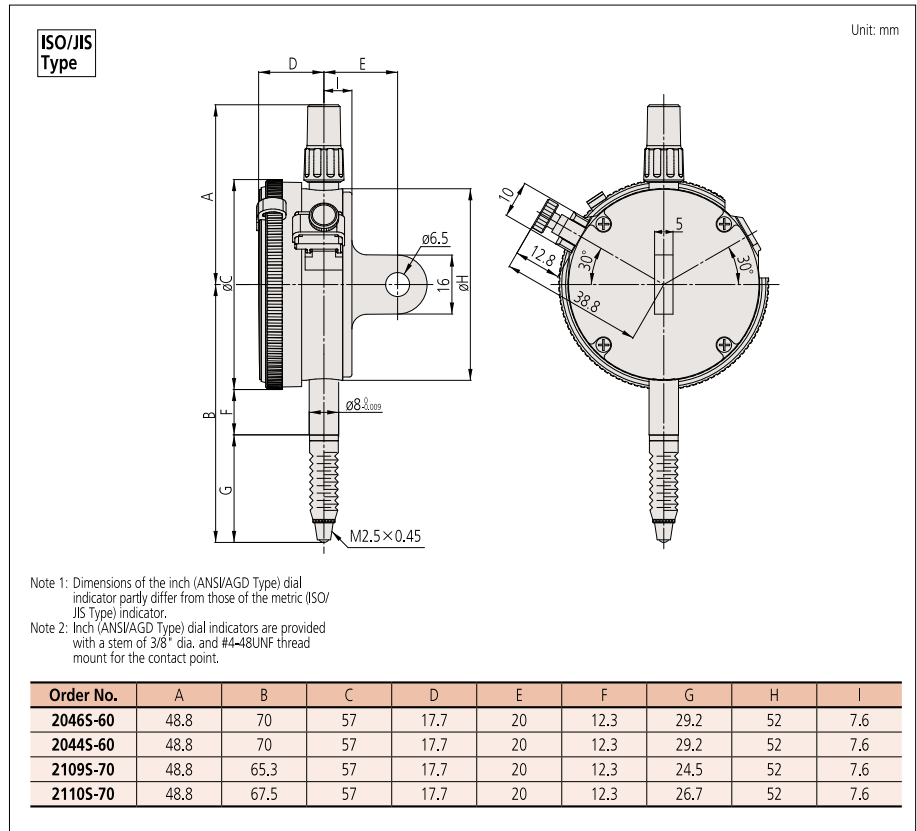
Continuous scale



Graduation: 0.001mm, Measuring range: 1mm **Waterproof**
 Double scale spacing
 Shockproof
 Jeweled bearing

F

DIMENSIONS



FEATURES

Metric							
Order No.							
w/ lug	Flat-back						
2046S-60	2046SB-60	✓	—	—	✓	—	—
2044S-60	2044SB-60	✓	—	—	✓	—	—
2109S-70	2109SB-70	—	✓	✓	✓	✓	—
2110S-70	2110SB-70	✓	—	✓	✓	✓	✓

SPECIFICATIONS

Metric									ISO/JIS type	
Order No.		Graduation	Range (range/rev)	Accuracy				Repeat-ability	Dial reading	Measuring force
w/ lug	Flat-back			Overall	Retrace	1/10 Rev	1 Rev			
2046S-60	2046SB-60	0.01mm	10mm (1mm)	13µm	3µm	5µm	10µm	3µm	±0-100	2.5N or less
2044S-60	2044SB-60	0.01mm	5mm (1mm)	12µm	3µm	5µm	10µm	3µm	±0-100	2.5N or less
2109S-70	2109SB-70	0.001mm	1mm (0.2mm)	5µm	2µm	2µm	4µm	0.5µm	0-100-0	2.0N or less
2110S-70	2110SB-70	0.001mm	1mm (0.1mm)	5µm	2µm	2µm	4µm	0.5µm	±0-100	2.0N or less